

NELSON™ HEAT TRACING SYSTEMS

TE460-TC THERMOSTAT

SPECIFICATION / APPLICATION INSTALLATION

DESCRIPTION



ENCLOSURE

Powder Coated Steel

CLASSIFICATIONS

NEMA Type 4 IP66

TEMPERATURE RANGE

0 to 538°C (32 to 1000°F)

SENSING PROBE

Length	Material	Max. Bulb Temperature
3m (10ft.)	Incoloy 825	593°C (1100°F)

ELECTRICAL DATA

Load Switch: 50 amp resistive @ 480VAC
Control Voltage: 120VAC

CALIBRATION ACCURACY

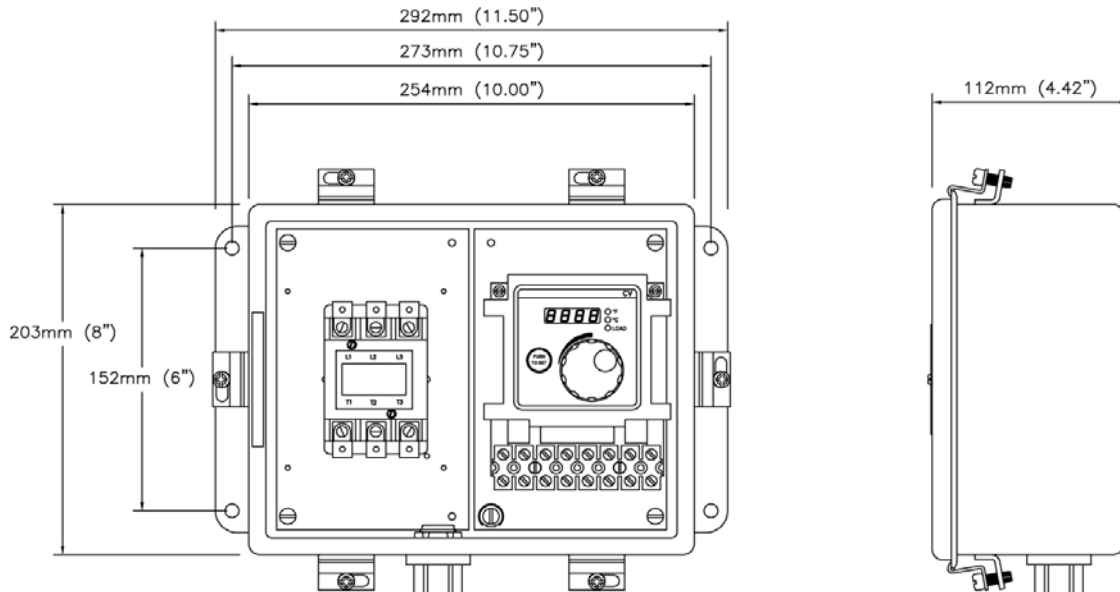
±1% of span

SWITCH TYPE

Triple Pole Single Throw

These thermostats are used for high temperature piping on freeze protection and process maintenance applications in ordinary locations. Includes 3-pole, 50A contactor.

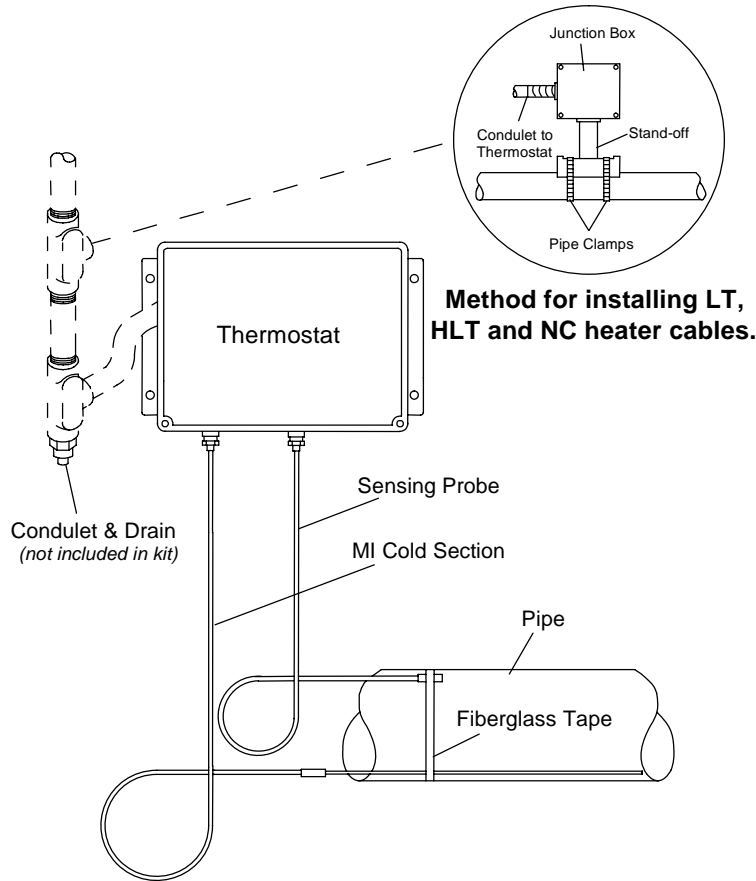
OUTLINE



Approvals:

FM - Ordinary Locations
CSA - Ordinary Locations

INSTALLATION



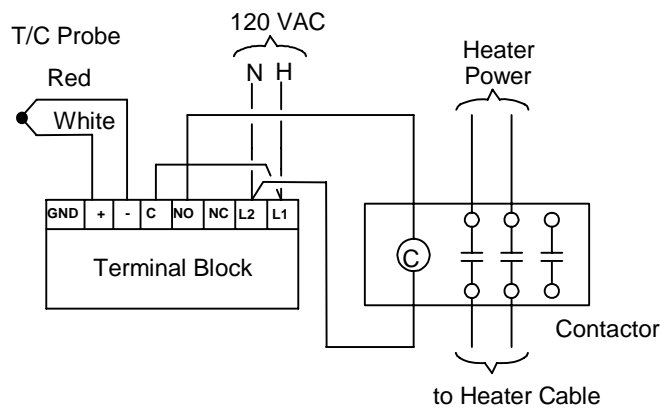
INSTALLATION NOTES:

- Securely mount thermostat enclosure and connect to power wiring.
- Verify thermostat set point is at the desired maintenance temperature.
- Close enclosure cover to prevent damage from inclement weather.
- Insure all fittings associated with the power wiring are installed per applicable codes.
- When conduit type systems are used, low point drains / conduit drains are highly recommended.

ANNUAL MAINTENANCE:

Spray a coat of lubricant and rust preventative such as CRC Stor & Lube on the electrical wire connections.

WIRING DIAGRAM



Nelson Heat Tracing Systems products are supplied with a limited warranty. Complete Terms and Conditions may be found on Nelson's website at www.nelsonheaters.com.